

Please note that the data given here has been taken from the online catalog. For comprehensive information and data, please refer to the user documentation at <http://www.download.phoenixcontact.com>. The General Terms and Conditions of Use apply to Internet downloads.

## ► Extract from the online catalog



Bus system flush-type socket, ETHERNET, 4-pos., M12, shielded, D-coded, front/screw mounting with M16 thread, can be positioned, with 2 m bus cable, 2 x 2 x 0.14 mm<sup>2</sup>

Order No.	1528507
Ord designation	SACCEC-M12FSD-4CON-M16/2,0-931
EAN	4046356023436
Pack	1 Pcs.
Customs tariff	85369010
Weight/Piece	0.133 KG
Catalog page information	Page 182 (PC-2007)

## ► Product notes

WEEE/RoHS-compliant since: 03/13/2006



**IMPORTANT :** This date is valid for Customers in Germany only. Date Format is MM/DD/YYYY. Please contact your local in-country Phoenix Contact location or designated business partner for a Logistics Compliant date in your area. In order to guarantee delivery of RoHS-Compliant product, please purchase Phoenix Contact parts from authorized Phoenix Contact representatives and distributors.



---

▶ **Technical data**

---

---

**General data**

Nominal current $I_N$	4 A
Nominal voltage $U_N$	60 V
Number of positions	4
Volume resistance	$\leq 3 \text{ m}\Omega$
Ambient temperature (operation)	-25 °C ... 90 °C (plug/socket)
Ambient temperature (operation)	-20 °C ... 60 °C (cable, fixed installation)
Ambient temperature (operation)	0 °C ... 50 °C (cable, flexible installation)

---

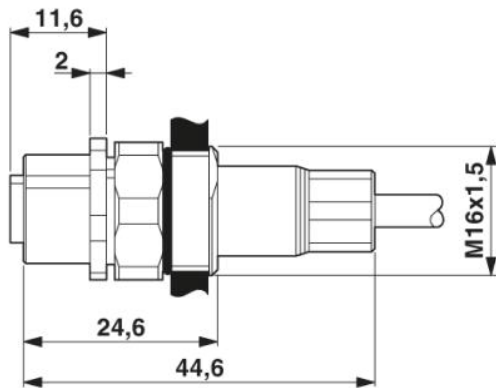
**General characteristics**

Keying	D - data
Fixed cable length	2 m
Cable type	Ethernet
Inflammability class acc. to UL 94	V0
Surge voltage category	II
Contamination class	3
Degree of protection	IP67
Material of contact	CuZn
Material of contact surface	Ni/Au
Contact carrier material	PA 66
Material, knurls	Nickel-plated brass
Single wire, color	White-green, white-orange
Conductor cross section	$0.14 \text{ mm}^2$
Volume resistance	$\leq 3 \text{ m}\Omega$
Insulation resistance	$\geq 100 \text{ M}\Omega$
Test voltage	2500 V

---

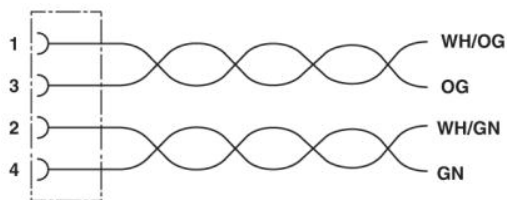
## ▸ Drawings

### Dimensioned drawing



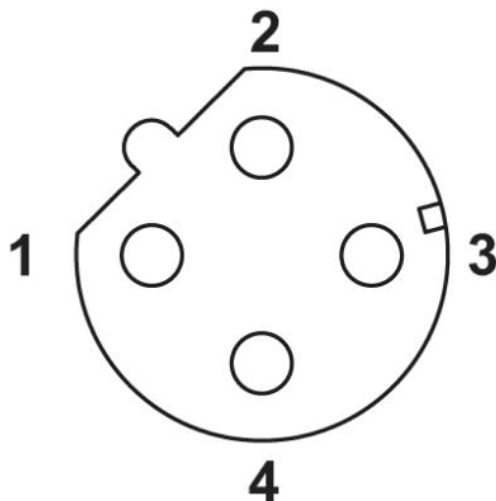
M12 flush-type connector

### Circuit diagram



Contact assignment of the M12 socket

### Schematic diagram



Pin assignment M12 female connector, 4-pos.,  
D-coded, female side

### Logo

---

# Ethernet



---

## ► Address

---

PHOENIX CONTACT GmbH & Co. KG

Flachsmarktstr. 8

32825 Blomberg

Germany

Phone +49 5235 3 00

Fax +49 5235 3 41200

<http://www.phoenixcontact.de>

Phoenix Contact

Technical modifications reserved;